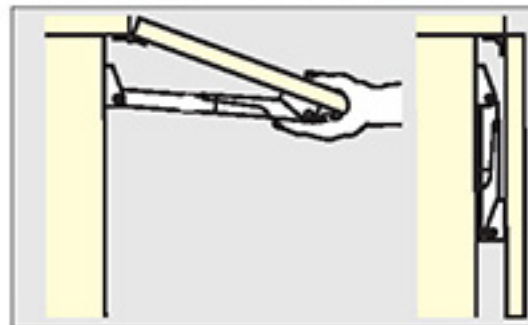


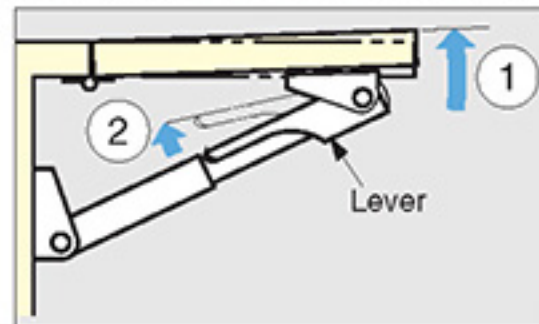
# FOLDING BRACKET



### Application Examples



### How to Release the Lock



### Features

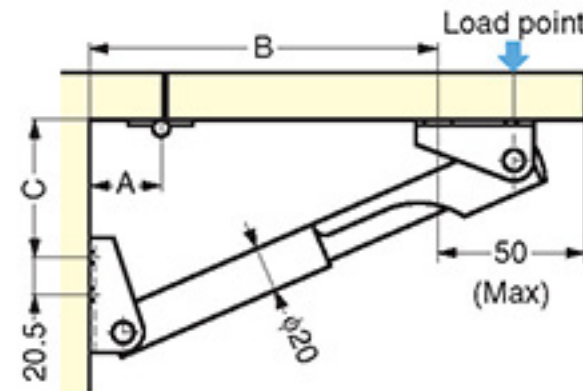
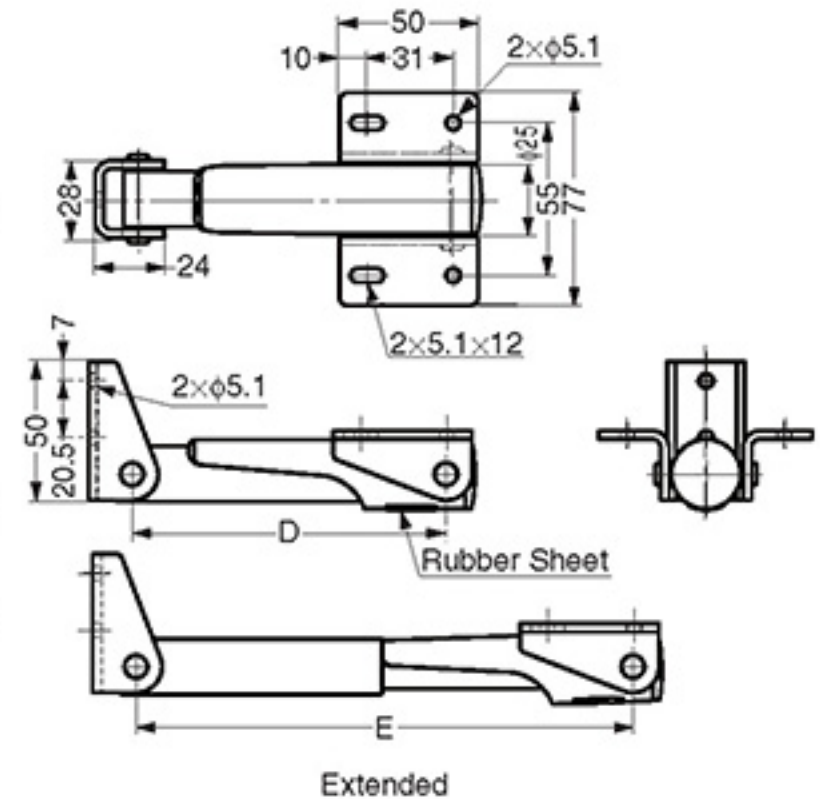
- Folding bracket with lock lever.
- Locks in opened position.
- Shelf thickness : 15 mm - 35 mm.

### Required Quantity

- Width up to 600 mm : 1 pc
- Width 600 - 1300 mm : 2 pcs

### Parts Included

- Cross-recessed truss head tapping screw ST 4.8 × 38 (2 pcs)
- Cross-recessed truss head tapping screw ST 4.8 × 16 (4 pcs)



Item Code	Item Name	Material	Finish	A	B	C	D	E	Load Capacity	Weight	Box	Carton	
120-105-060	38820-25	Aluminium Alloy	Anodized	28 - 30	161	15	114	180	250 N/pc	25 kgf/pc	149 g	5 pcs	50 pcs
120-105-061	38830-25	Aluminium Alloy	Anodized	28 - 39	252	45	168	275.9	309 N/pc	31 kgf/pc	187 g	5 pcs	50 pcs
120-105-062	38845-25	Aluminium Alloy	Anodized	28 - 50	402	87	258.5	430.8	330 N/pc	33 kgf/pc	266 g	5 pcs	30 pcs
120-105-063	38860-25	Aluminium Alloy	Anodized	28 - 40	549	137	368.5	585.8	360 N/pc	36 kgf/pc	342 g	5 pcs	30 pcs
120-041-202	38820-25-BL	Aluminium Alloy	Black Anodized	28 - 30	161	15	114	180	250 N/pc	25 kgf/pc	149 g	5 pcs	50 pcs
120-041-203	38830-25-BL	Aluminium Alloy	Black Anodized	28 - 39	252	45	168	275.9	309 N/pc	31 kgf/pc	187 g	5 pcs	50 pcs
120-041-204	38845-25-BL	Aluminium Alloy	Black Anodized	28 - 50	402	87	258.5	430.8	330 N/pc	33 kgf/pc	266 g	5 pcs	30 pcs
120-041-205	38860-25-BL	Aluminium Alloy	Black Anodized	28 - 40	549	137	368.5	585.8	360 N/pc	36 kgf/pc	342 g	5 pcs	30 pcs